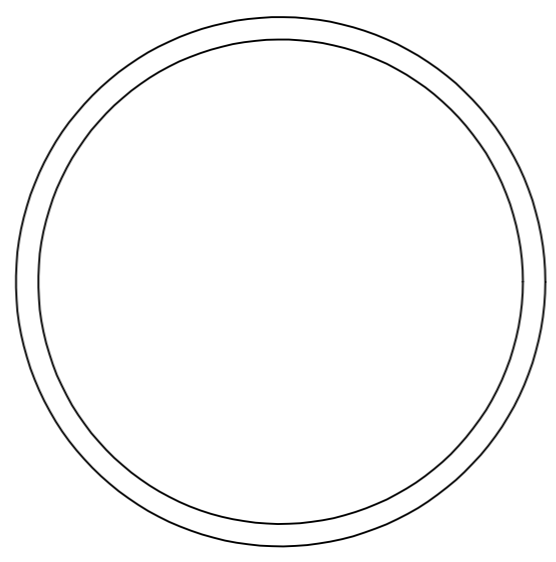
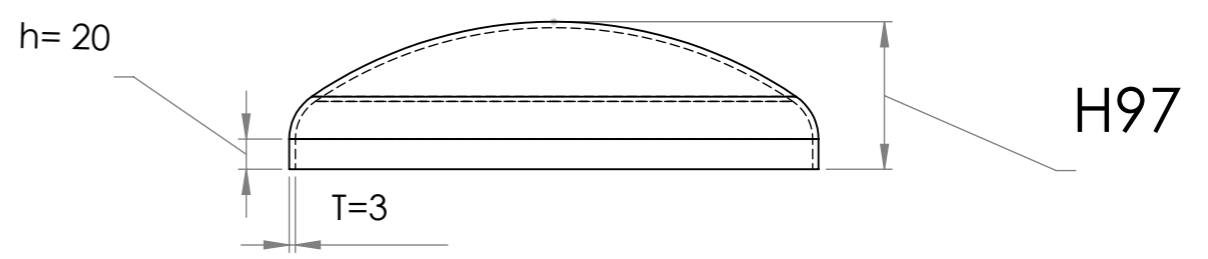
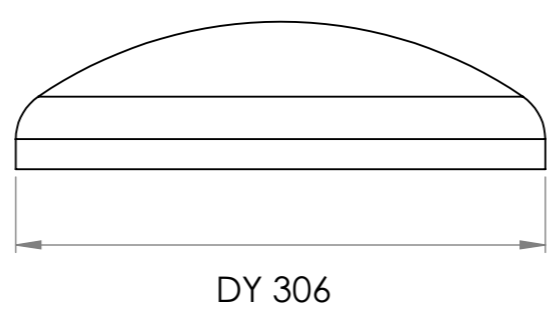
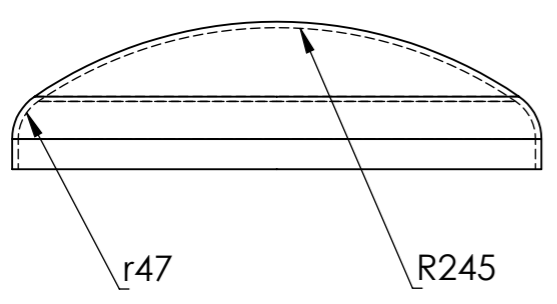
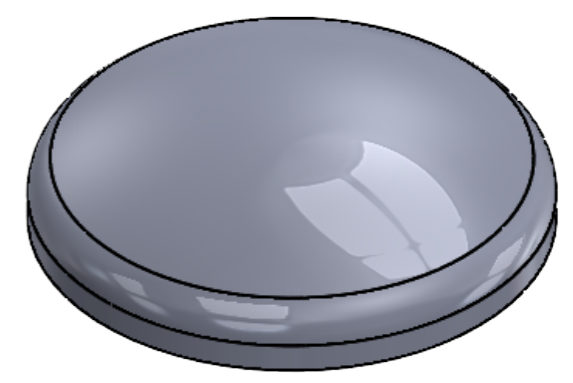
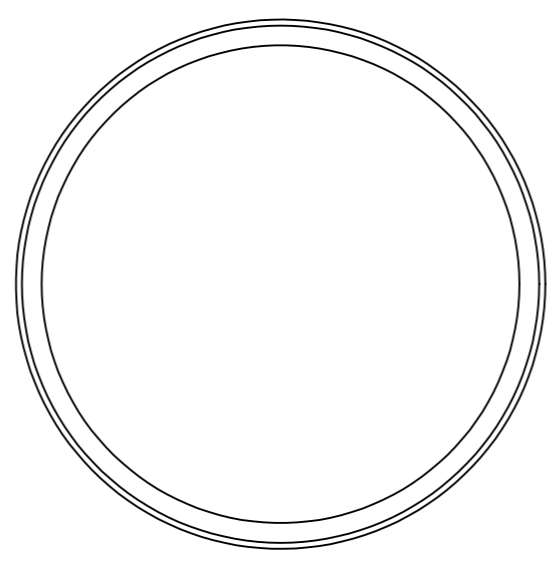


8 7 6 5 4 3 2 1

F
E
D
C
B
A

F
E
D
C
B
A



UNLESS OTHERWISE SPECIFIED: DIMENSIONS ARE IN MILLIMETERS				FINISH:		DEBURR AND BREAK SHARP EDGES		DO NOT SCALE DRAWING		REVISION	
SURFACE FINISH:											
TOLERANCES:											
LINEAR:											
ANGULAR:											
DRAWN		NAME		SIGNATURE		DATE		TITLE:			
CHK'D											
APPV'D											
MFG											
Q.A								MATERIAL:		DWG NO.	
										1467934	
								WEIGHT:		SCALE:1:5	
										SHEET 1 OF 1	
										A3	



8 7 6 5 4 3 2 1